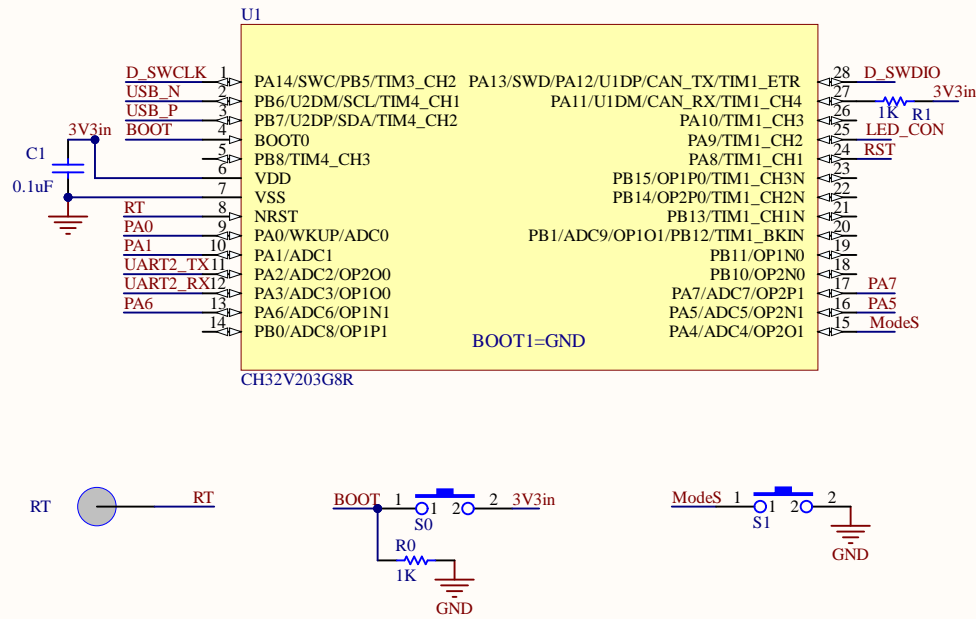
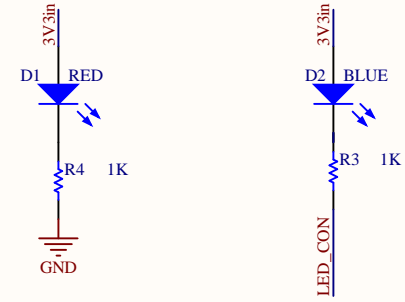


MCU

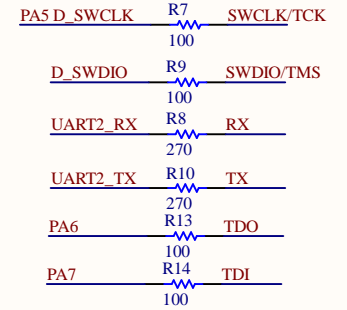
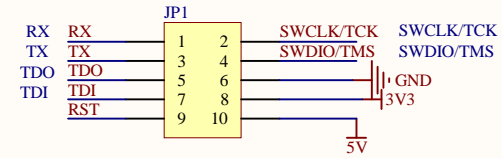
WCH-DAPLink-R0-2v0



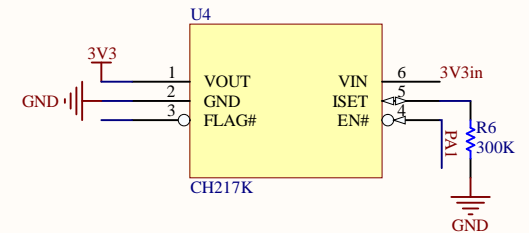
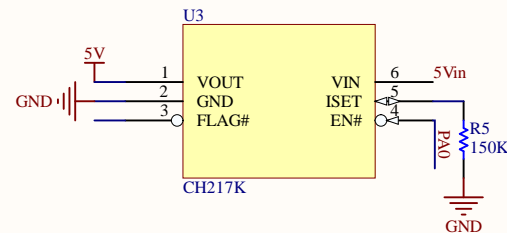
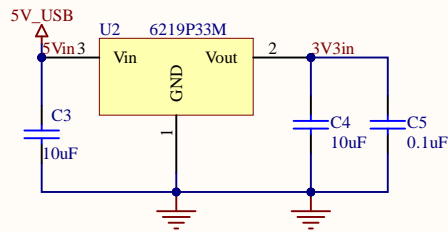
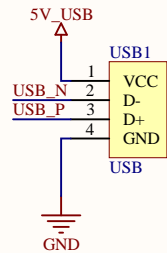
LED



HEADER

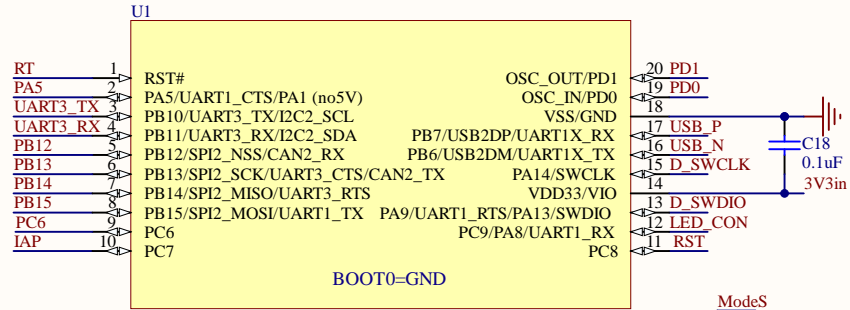


POWER

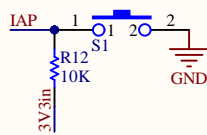
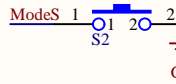
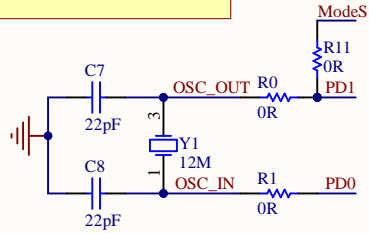


MCU

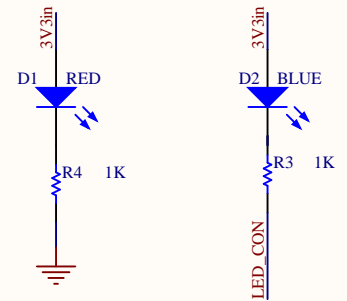
WCH-LinkE-R0-1v3



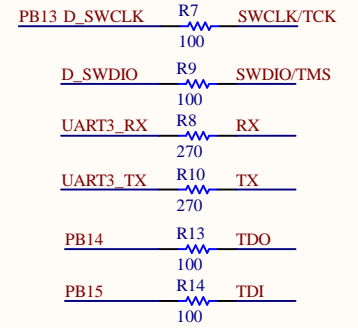
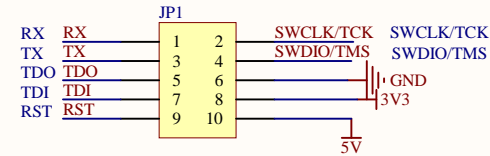
CH32V305F



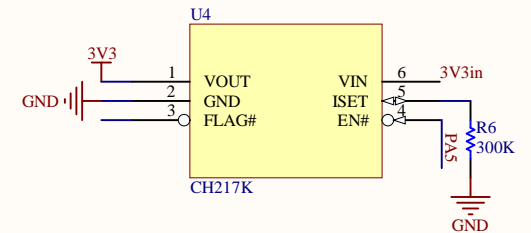
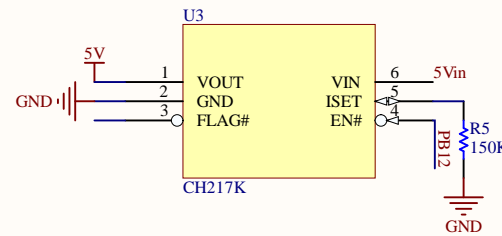
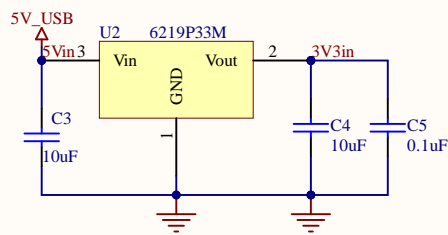
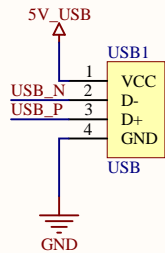
LED



HEADER

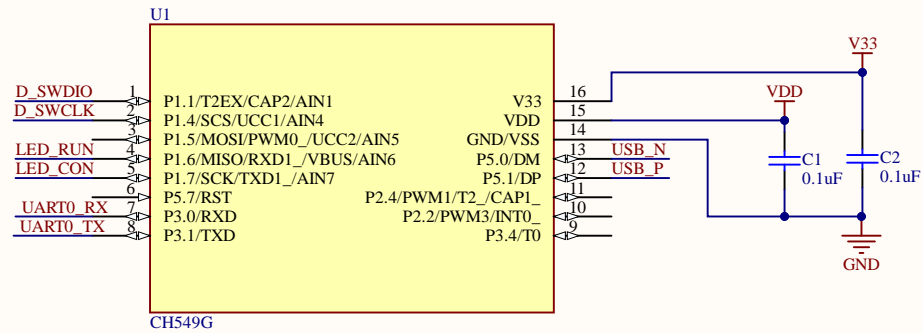


POWER

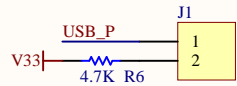


MCU

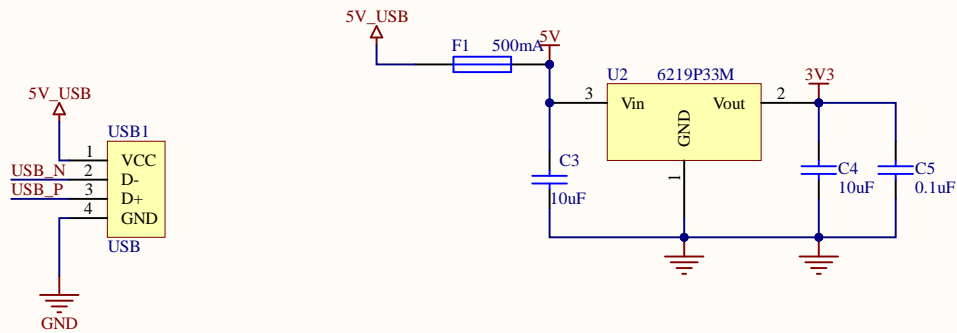
WCH-Link-R1-1v1



0.1uF capacitor as close as possible to the chip pins,
default internal crystal oscillator



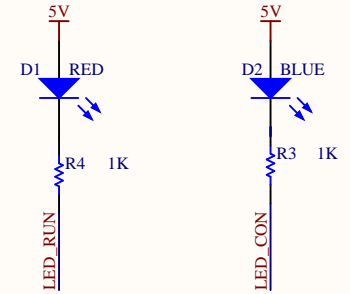
POWER



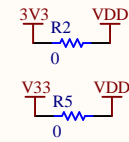
5V Power supply



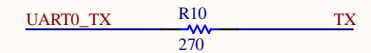
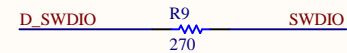
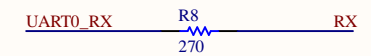
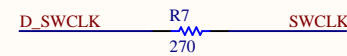
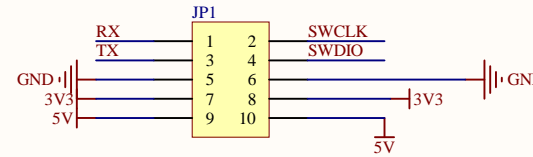
LED



3.3V Power supply

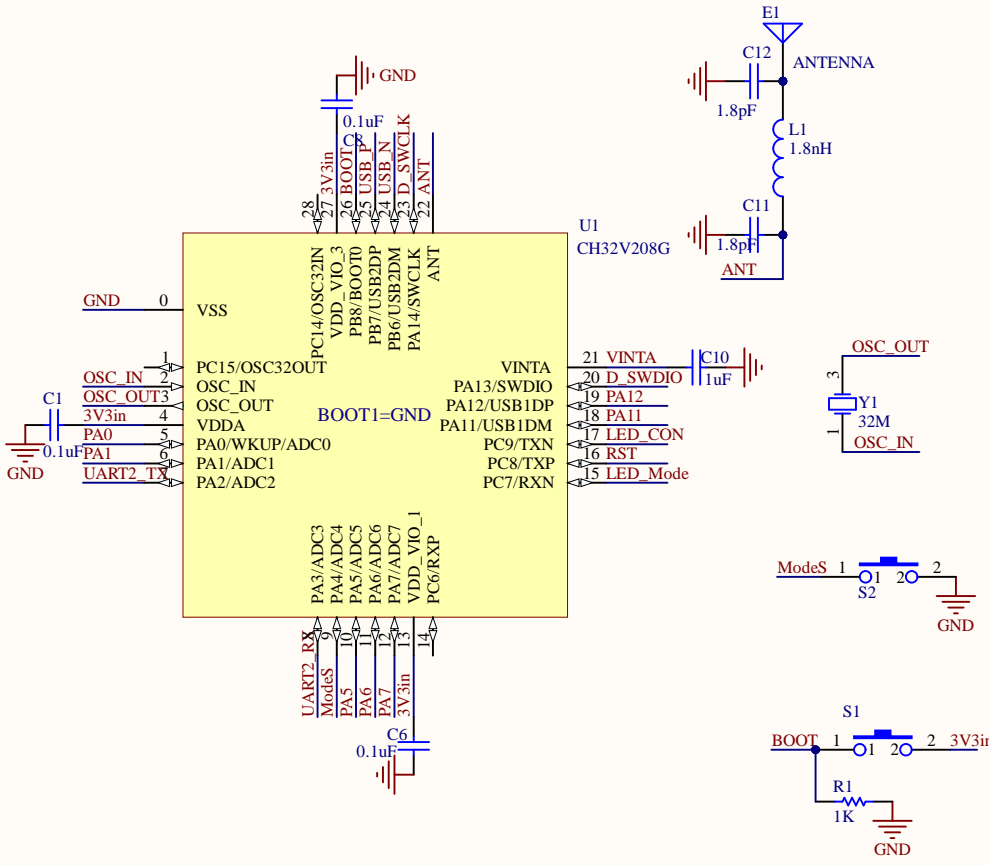


HEADER

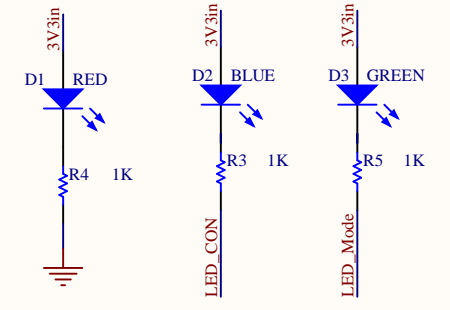


MCU

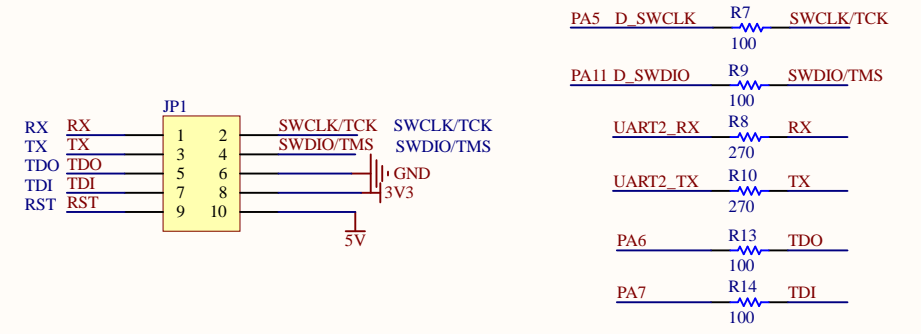
WCH-LinkW-R0-1v1



LED



HEADER



POWER

